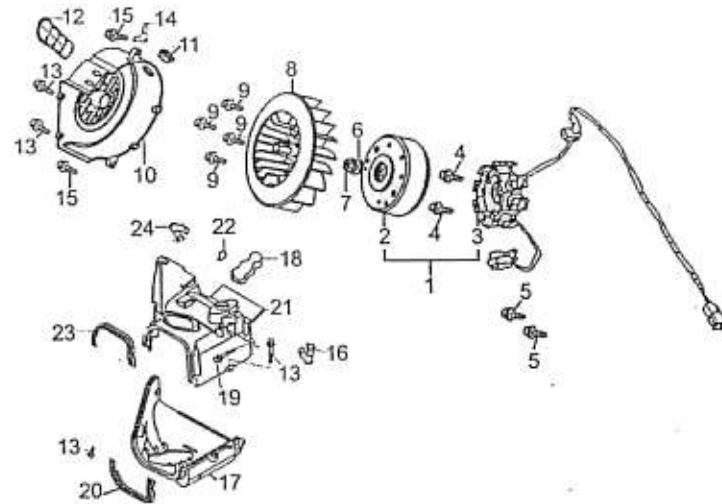


Parts Catalog for

LF150T-5

FIG 1

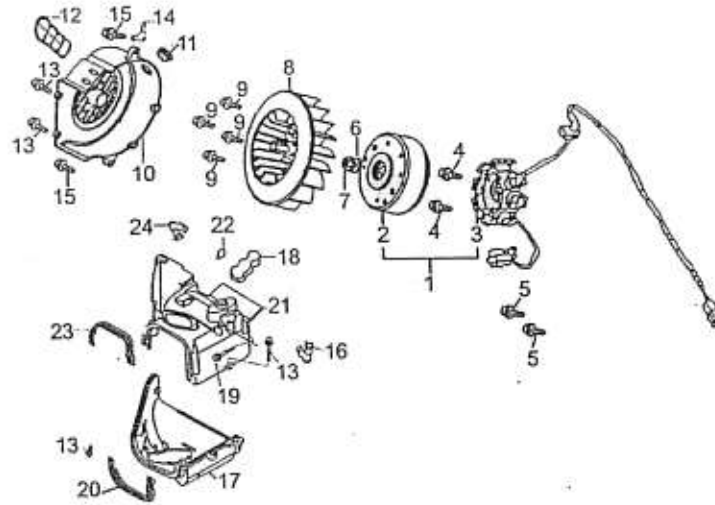
Fan Cover
Generator



NO.	CODE NAME	PART NUMBER	PRICE	DESCRIPTION	QUANTITY	NOTE
1		301.001	42.75	magneto assy.	1	
2				rotor comp.	1	
3				stator comp.	1	
4		301.004	0.80	bolt M6X20	2	
5		301.005	0.80	bolt M5X12	2	
6		301.006	0.50	washer 12	1	
7		301.007	0.65	nut M12X1.25	1	
8		301.008	9.46	fan	1	
9		301.009	0.80	bolt M6X18	4	
10		301.010	16.80	fan cover	1	
11		301.011	0.70	rubber plug	1	
12		301.012	3.86	cooling guide tube, carburetor	1	
13		301.013	0.80	screw M5X16	4	
14		301.014	1.26	bracket	1	
15		301.015	0.80	bolt M6X25	3	
16		301.016	1.30	clamp	1	
17		301.017	9.98	shroud A	1	
18		301.018	1.35	cover, tensioner	1	
19		301.019	0.80	bolt M6X25	1	
20		301.020	1.08	seal, shroud A	1	
21		301.021	10.96	shroud B	1	

FIG 1

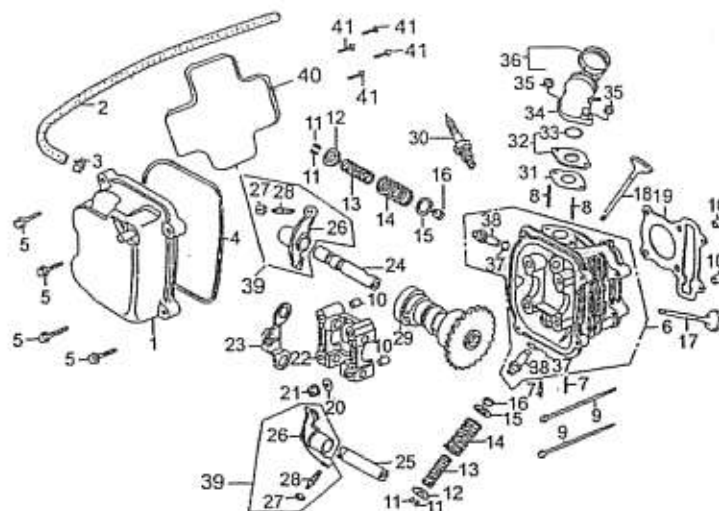
Fan Cover
Generator



NO.	CODE NAME	PART NUMBER	PRICE	DESCRIPTION	QUANTITY	NOTE
22		301.022	0.50	clip	1	
23		301.023	1.03	seal, shroud B	1	
24		301.024	1.27	clamp, breather tube	1	

FIG 2

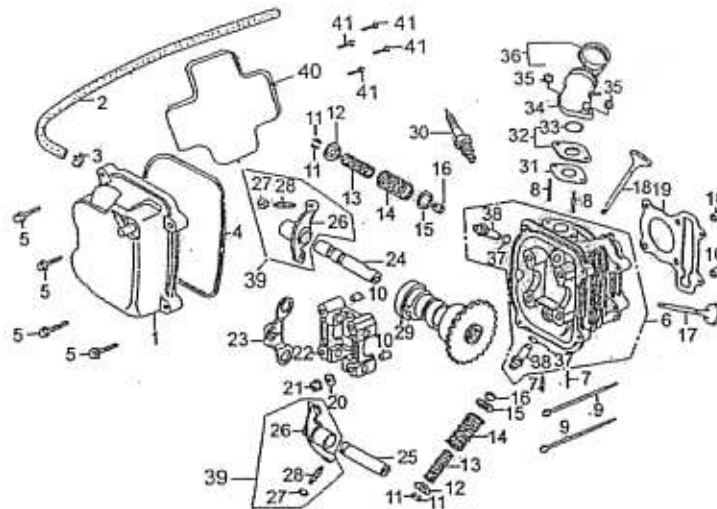
Cylinder Head Cover
Cylinder Head



NO.	CODE NAME	PART NUMBER	PRICE	DESCRIPTION	QUANTITY	NOTE
1		302.001	9.87	cylinder head cover comp.	1	
2		302.002	0.98	exhaust tube	1	
3		302.003	0.65	clip, exhaust tube	1	
4		302.004	1.87	gasket, cylinder head cover	1	
5		302.005	0.80	bolt M6X25	4	
6		302.006	38.99	cylinder head comp.	1	
7		302.007	0.85	stud bolt M6X32	2	
8		302.008	0.85	stud bolt M6X50	2	
9		302.009	0.95	bolt M6X100	2	
10		302.010	0.75	dowel pin 10X16	4	
11		302.011	1.88	valve clip	4	
12		302.012	3.31	upper valve spring seat	2	
13		302.013	2.50	inner valve spring	2	
14		302.014	2.55	outer valve spring	2	
15		302.015	2.67	lower valve spring seat	2	
16		302.016	1.58	seal, valve stem	2	
17		302.017	8.75	exhaust valve	1	
18		302.018	8.75	inlet valve	1	
19		302.019	1.59	gasket, cylinder head	1	
20		302.020	0.50	washer 8	4	
21		302.021	0.65	nut M8	4	

FIG 2

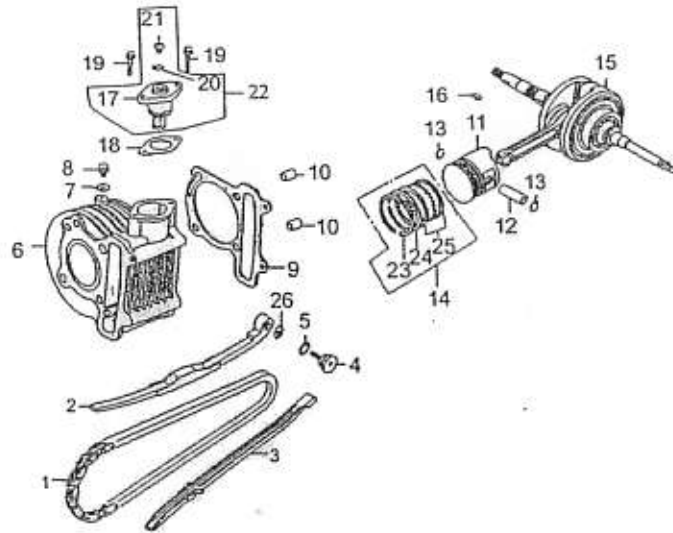
Cylinder Head Cover
Cylinder Head



NO.	CODE NAME	PART NUMBER	PRICE	DESCRIPTION	QUANTITY	NOTE
22		302.022	18.37	rocker arm holder	1	
23		302.023	4.99	stopper	1	
24		302.024	3.17	rocker arm shaft set	1	
25		302.025	2.82	rocker arm shaft	1	
26		302.026	8.23	valve rocker arm	2	
27		302.027	0.65	adjusting nut, valve clearance	2	
28		302.028	1.22	adjusting screw, valve clearance	2	
29		302.029	10.68	cam shaft comp.	1	
30		302.030	2.80	spark plug	1	
31		302.031	1.57	gasket, intake pipe	1	
32		302.032	1.20	heat insulation gasket	1	
33		302.033	1.50	O-ring	1	
34		302.034	4.79	inlet pipe set	1	
35		302.035	0.65	nut M6	2	
36		302.036	1.03	inlet pipe clip	1	
37		302.037	1.03	O-ring	2	
38		302.038	5.29	guide pipe, valve	2	
39		302.039	10.10	rocker arm set	2	
40		302.040	0.99	plate	1	
41		302.041	0.65	screw ST4X8	4	

FIG 3

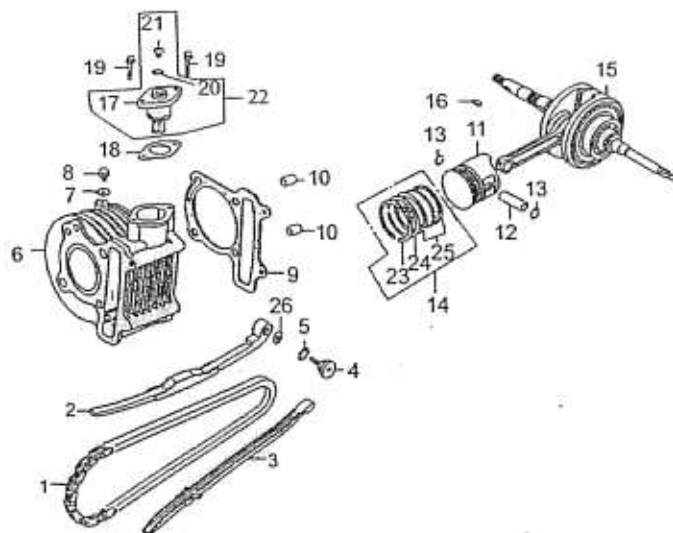
Cylinder, Crankshaft
Piston



NO.	CODE NAME	PART NUMBER	PRICE	DESCRIPTION	QUANTITY	NOTE
1		303.001	9.32	timing chain	1	
2		303.002	4.32	tension plate	1	
3		303.003	4.08	guide	1	
4		303.004	1.98	screw	1	
5		303.005	1.27	O-ring 15.2X1.5	1	
6		303.006	32.99	cylinder comp.	1	
7		303.007	0.50	washer 6.5	1	
8		303.008	0.80	bolt M6X12	1	
9		303.009	1.36	cylinder gasket	1	
10		303.010	0.80	dowel pin 10X16	2	
11		303.011	17.99	piston	1	
12		303.012	2.65	pin, piston	1	
13		303.013	0.90	circlip, piston pin	2	
14		303.014	8.30	piston ring set	1	
15		303.015	45.66	crankshaft & con-rod comp.	1	
16		303.016	2.25	woodruff key	1	
17		303.017	7.26	tensioner	1	
18		303.018	0.70	tensioner gasket	1	
19		303.019	0.85	bolt M6X22	2	
20		303.020	1.20	O-ring 1.5X9.5	1	
21		303.021	0.80	screw M6X6	1	

FIG 3

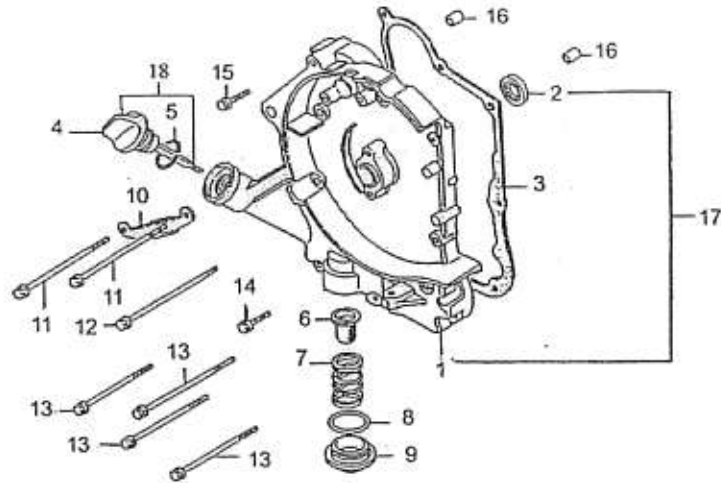
Cylinder, Crankshaft
Piston



NO.	CODE NAME	PART NUMBER	PRICE	DESCRIPTION	QUANTITY	NOTE
22		303.022	9.50	tensioner assy.	1	
23		303.023		piston ring set No.1	1	
24		303.024		piston ring set No.2	1	
25		303.025		piston ring set (oil)	1	
26		303.026	0.50	washer	1	

FIG 4

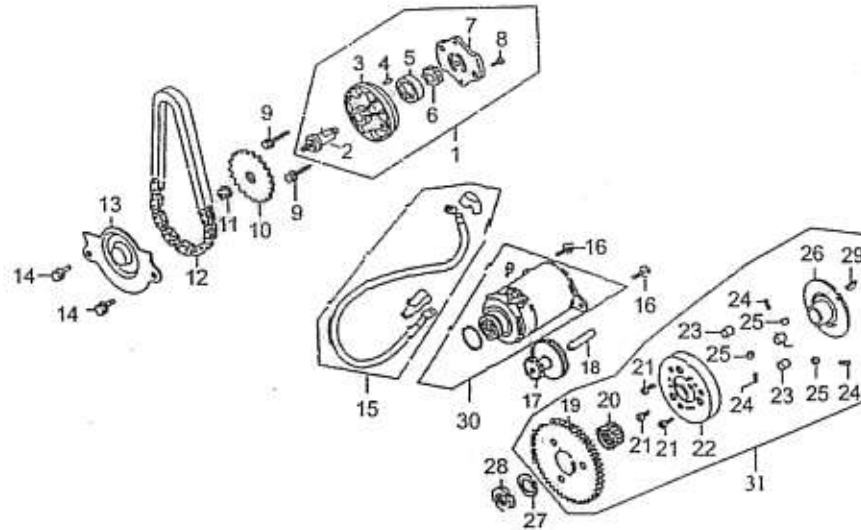
Right Crankcase Cover



NO.	CODE NAME	PART NUMBER	PRICE	DESCRIPTION	QUANTITY	NOTE
1		304.001	23.79	right crankcase cover	1	
2		304.002	1.17	oil seal 19.8X30X5	1	
3		304.003	1.36	gasket, right crankcase cover	1	
4		304.004	3.67	dipstick	1	
5		304.005	0.89	O-ring	1	
6		304.006	2.99	oil filter screen	1	
7		304.007	1.09	spring	1	
8		304.008	1.29	O-ring	1	
9		304.009	1.96	oil filter screen cover	1	
10		304.010	1.59	clamp	2	
11		304.011	0.95	bolt M6X110	2	
12		304.012	0.95	bolt M6X100	1	
13		304.013	0.95	bolt M6X95	4	
14		304.014	0.85	bolt M6X30	1	
15		304.015	0.85	bolt M6X35	1	
16		304.016	0.85	dowel pin 8X14	2	
17		304.017		right crankcase cover set	1	
18		304.018		dipstick comp.	1	

FIG 5

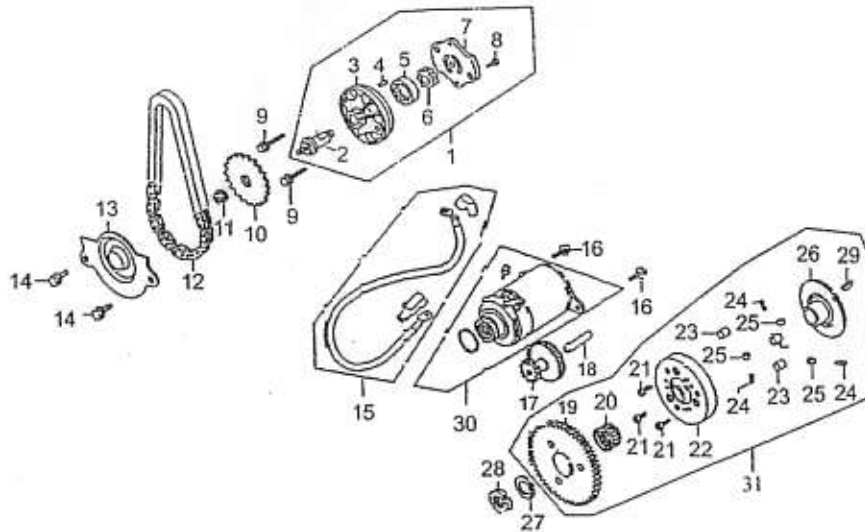
Start Motor
Oil Pump



NO.	CODE NAME	PART NUMBER	PRICE	DESCRIPTION	QUANTITY	NOTE
1		305.001	22.89	oil pump set	1	
2		305.002		oil pump shaft	1	
3		305.003		oil pump body	1	
4		305.004		dowel pin 4X6.5	1	
5		305.005		outer rotor, oil pump	1	
6		305.006		inner rotor, oil pump	1	
7		305.007		oil pump cover	1	
8		305.008		bolt M3X10	1	
9		305.009	0.80	bolt M6X30	2	
10		305.010	4.32	oil pump driven sprocket	1	
11		305.011	0.65	nut M6	1	
12		305.012	9.97	drive chain	1	
13		305.013	7.96	driven sprocket stopper	1	
14		305.014	0.80	bolt M6X12	2	
15		305.015	2.20	wire, start motor	1	
16		305.016	0.80	bolt M6X16	2	
17		305.017	9.36	twin gear	1	
18		305.018	4.66	shaft, twin gear	1	
19		305.019	9.69	gear, start clutch	1	
20		305.020	4.58	needle bearing	1	
21		305.021		bolt M6X10	3	

FIG 5

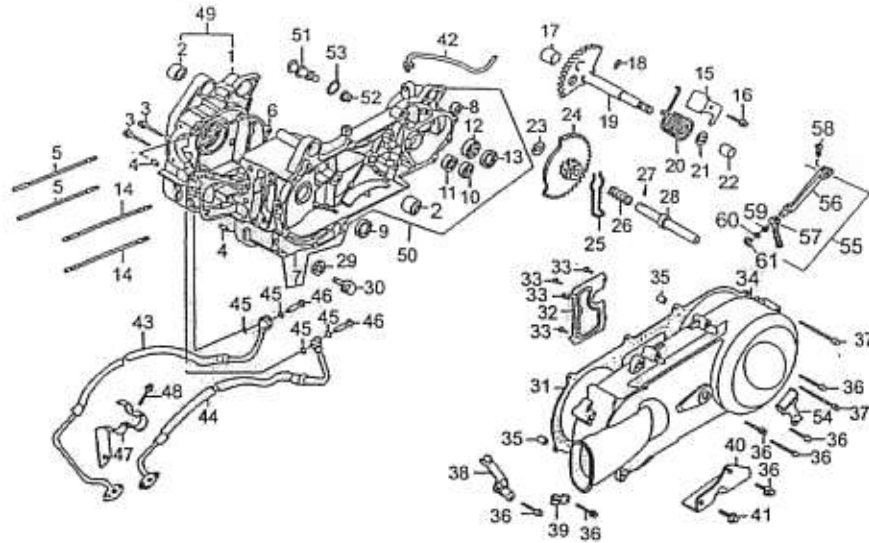
Start Motor
Oil Pump



NO.	CODE NAME	PART NUMBER	PRICE	DESCRIPTION	QUANTITY	NOTE
22		305.022		start clutch body	1	
23		305.023		roller 10X10	3	
24		305.024		spring	3	
25		305.025		spring, housing	3	
26		305.026		start clutch cover	1	
27		305.027	0.90	thrust washer	1	
28		305.028	1.80	nut M22	1	
29		305.029		woodruff key	1	
30		305.030	50.30	start motor	1	
31		305.031	36.99	start clutch assy.	1	

FIG 6

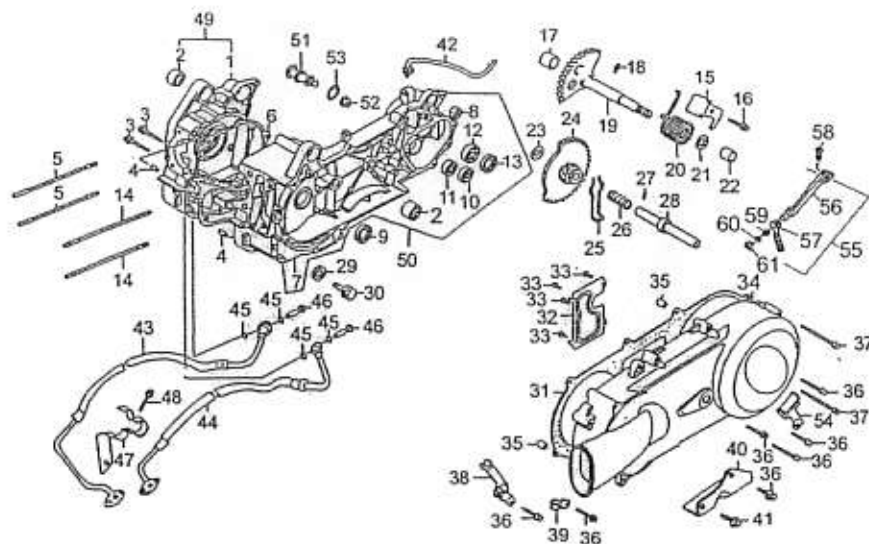
Crankcase



NO.	CODE NAME	PART NUMBER	PRICE	DESCRIPTION	QUANTITY	NOTE
1		306.001	53.69	crankcase comp., right	1	
2		306.002	2.76	bush, engine hanger	2	
3		306.003	0.80	bolt M6X50	2	
4		306.004	0.80	dowel pin 8X14	2	
5		306.005	1.59	cylinder stud A	2	
6		306.006	0.98	gasket, crankcase	1	
7		306.007		left crankcase	1	
8		306.008		lower bush, right shock absorber	1	
9		306.009	1.85	oil seal 19.8X30X5	1	
10		306.010	4.79	bearing 6301 TMB	1	
11		306.011	4.17	bearing 6002	1	
12		306.012	4.88	bearing 6004 DU	1	
13		306.013	1.80	oil seal 27X42X7	1	
14		306.014	1.62	cylinder stud B	2	
15		306.015	2.97	stopper	1	
16		306.016	0.80	bolt M6X14	1	
17		306.017	2.75	bush 12X16X12	1	
18		306.018	1.17	pin 4.5	1	
19		306.019	13.86	start shaft comp.	1	
20		306.020	3.16	return spring	1	
21		306.021	0.60	washer 14	1	

FIG 6

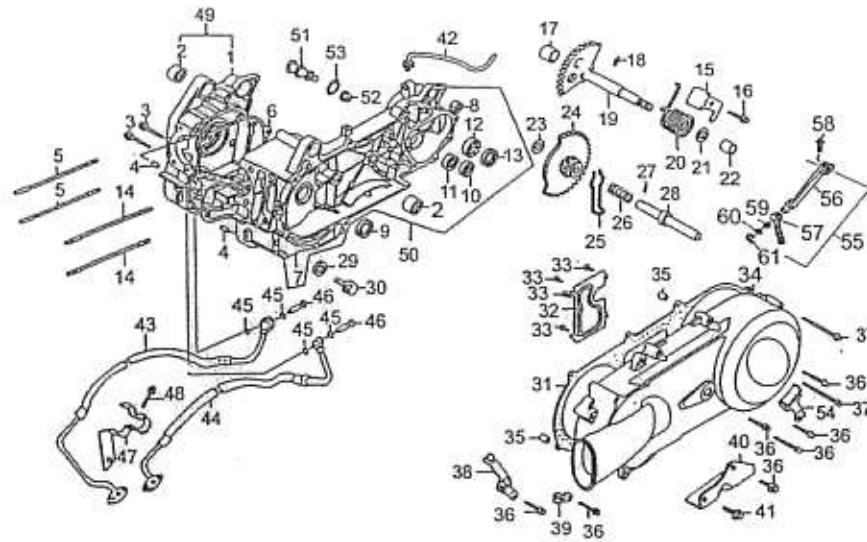
Crankcase



NO.	CODE NAME	PART NUMBER	PRICE	DESCRIPTION	QUANTITY	NOTE
22		306.022	1.12	bush	1	
23		306.023	0.55	washer 12.5	1	
24		306.024	6.59	idle gear comp.	1	
25		306.025	0.92	friction spring	1	
26		306.026	0.87	drive spring	1	
27		306.027	0.89	roller 3X8.5	1	
28		306.028	4.05	shaft, idle gear	1	
29		306.029	0.50	washer, drain bolt	1	
30		306.030	0.85	drain bolt M12X14	1	
31		306.031	2.12	gasket, left crankcase cover	1	
32		306.032	1.97	guide plate	1	
33		306.033	0.75	screw ST4X8	4	
34		306.034	32.79	left crankcase cover	1	
35		306.035	0.90	dowel pin 8X14	2	
36		306.036	0.85	bolt M6X40	6	
37		306.037	0.85	bolt M6X65	2	
38		306.038	1.98	clamp	1	
39		306.039	1.09	clamp	1	
40		306.040	2.63	stopper, main stand	1	
41		306.041	0.80	bolt M6X12	1	
42		306.042	1.92	air vent tube	1	

FIG 6

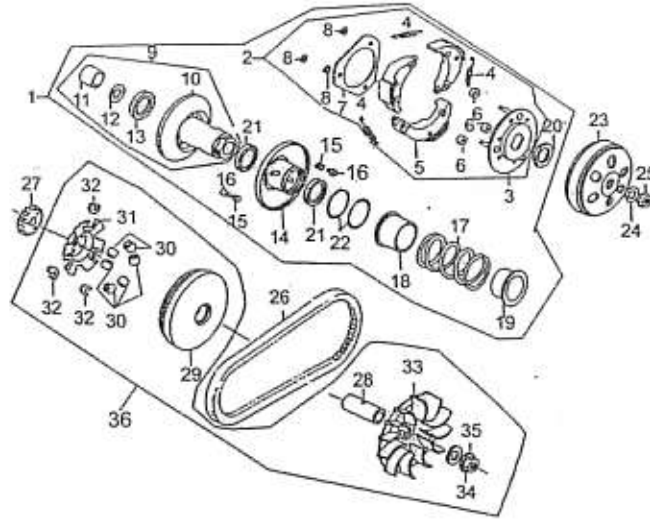
Crankcase



NO.	CODE NAME	PART NUMBER	PRICE	DESCRIPTION	QUANTITY	NOTE
43		306.043	5.74	oil inlet hose comp.	1	
44		306.044	5.74	oil outlet hose comp.	1	
45		306.045	0.79	gasket, oil pipe	4	
46		306.046	1.05	bolt, inner hole	1	
47		306.047	1.79	supporter, oil hose	4	
48		306.048	0.80	bolt M6X12	2	
49		306.049		right crankcase assy.	1	
50		306.050		left crankcase assy.	1	
51		306.051	3.82	pin, brake shoe	1	
52		306.052	0.60	nut M8	1	
53		306.053	0.85	O-ring 7.5X1.5	1	
54		306.054	2.13	clamp	1	

FIG 7

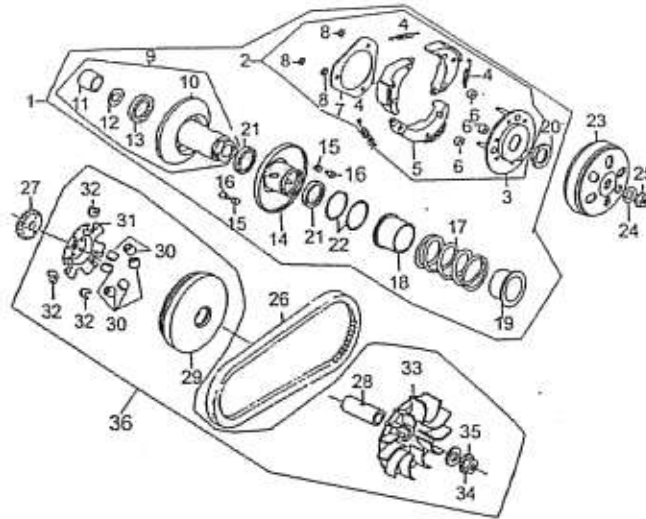
Driving & Driven Pulley



NO.	CODE NAME	PART NUMBER	PRICE	DESCRIPTION	QUANTITY	NOTE
1		307.001	46.38	driven pulley assy.	1	
2		307.002		clutch driving plate assy.	1	
3		307.003		driving plate comp.	1	
4		307.004		spring	3	
5		307.005		clutch shoe set	3	
6		307.006		damping rubber	3	
7		307.007		pressure plate	1	
8		307.008		circlip	3	
9		307.009		driven plate comp.	1	
10		307.010		driven plate	1	
11		307.011		needle bearing 20X29X18	1	
12		307.012		bearing 6902U	1	
13		307.013		circlip 28	1	
14		307.014		driven sliding plate	1	
15		307.015		guide pin	3	
16		307.016		roller	3	
17		307.017		spring	1	
18		307.018		retainer, right spring	1	
19		307.019		retainer, left spring	1	
20		307.020		nut M28	1	
21		307.021		oil seal 34X41X4	2	

FIG 7

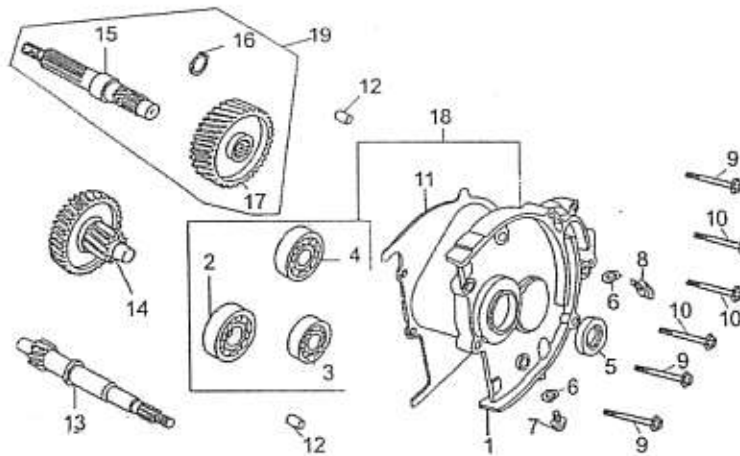
Driving & Driven Pulley



NO.	CODE NAME	PART NUMBER	PRICE	DESCRIPTION	QUANTITY	NOTE
22		307.022		O-ring	2	
23		307.023	9.95	outer clutch	1	
24		307.024	1.08	washer 12.2X29X2.5	1	
25		307.025	1.65	nut M12	1	
26		307.026	19.98	belt	1	
27		307.027	8.69	driven gear	1	
28		307.028		sleeve, drive gear	1	
29		307.029		sliding plate set, driving pulley	1	
30		307.030		roller	6	
31		307.031		clamp	1	
32		307.032		slide, clamp	3	
33		307.033		fixing plate set, driving pulley	1	
34		307.034		washer 12.2X29X2.5	1	
35		307.035		nut M12	1	
36		307.036	37.84	drive pulley assy.	1	

FIG 8

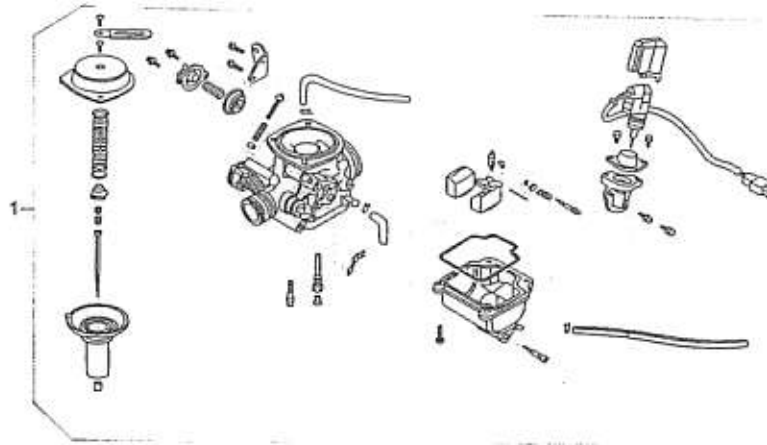
Transmission System



NO.	CODE NAME	PART NUMBER	PRICE	DESCRIPTION	QUANTITY	NOTE
1		308.001	16.57	transmission case	1	
2		308.002	4.70	bearing 6204	1	
3		308.003	4.75	bearing 6202	1	
4		308.004	4.77	bearing 6203	1	
5		308.005	1.20	oil seal 20X32X6	1	
6		308.006	0.50	washer 8	2	
7		308.007	0.80	bolt M8X12	1	
8		308.008	0.80	bolt M8X12	1	
9		308.009	0.80	bolt M6X28	3	
10		308.010	0.80	bolt M6X35	3	
11		308.011	1.47	gasket	1	
12		308.012	0.85	dowel pin 8X14	2	
13		308.013	10.98	drive shaft	1	
14		308.014	11.70	counter shaft comp.	1	
15		308.015	9.98	output shaft	1	
16		308.016	0.85	circlip	1	
17		308.017	9.79	gear, output shaft	1	
18		308.018		transmission case comp.	1	
19		308.019		output shaft comp.	1	

FIG 9

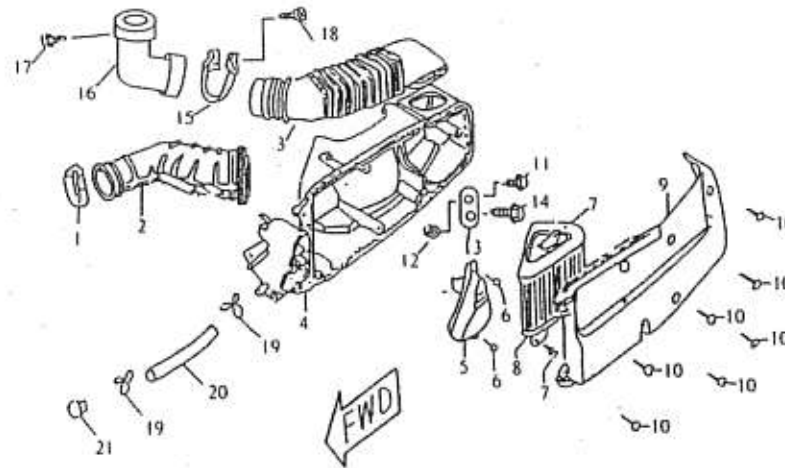
Carburetor



NO.	CODE NAME	PART NUMBER	PRICE	DESCRIPTION	QUANTITY	NOTE
1		309.001	98.95	carburetor assy.	1	

FIG 10

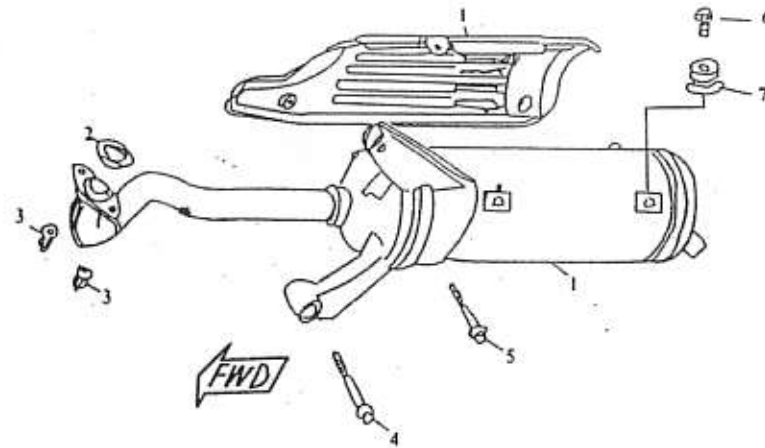
Air Cleaner



NO.	CODE NAME	PART NUMBER	PRICE	DESCRIPTION	QUANTITY	NOTE
0		N10.000	21.99	air cleaner assy.	1	
1		N10.001	8.79	tube	1	
2		N10.002	8.79	tube	1	
3		N10.003	incl. in N10.022	intake tube	1	
4		N10.004	incl. in N10.022	air cleaner case	1	
5		N10.005	incl. in N10.022	end case	1	
6		N10.006		screw ST3.5X12	2	
7		N10.007		screw M5X12	2	
8		N10.008	9.98	element, air cleaner	1	
9		N10.009	incl. in N10.022	air cleaner case cap	2	
10		N10.010		screw ST4X16	7	
11		N10.011		bolt	2	
12		N10.012		nut M6	1	
13		N10.013	1.65	bracket, air cleaner	1	
14		N10.014	0.85	bolt M6X16	1	
15		N10.015		clip	1	
16		N10.016		intake pipe	1	
17		N10.017		screw	1	
18		N10.018		adjusting screw	1	
19		N10.019		clip	4	
20		N10.020	incl. in N10.022	drain tube	1	
21		N10.021		plug	2	

FIG 11

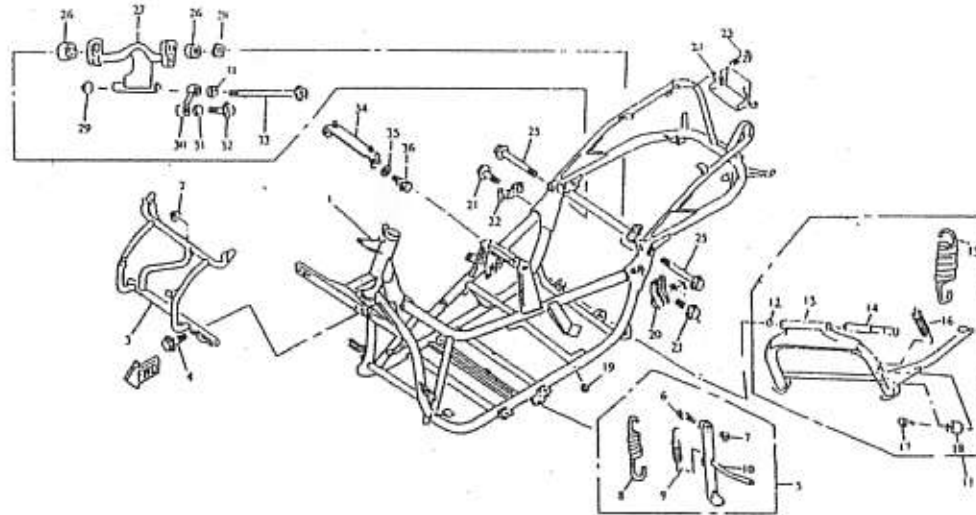
Exhaust Muffler



NO.	CODE NAME	PART NUMBER	PRICE	DESCRIPTION	QUANTITY	NOTE
1		N11.001	39.85	exhaust muffler	1	
2		N11.002	2.05	gasket, exhust muffler	1	
3		N11.003	1.25	cap nut	2	
4		N11.004	1.35	bolt M8X110	1	
5		N11.005	0.95	bolt M8X32	1	
6		N11.006	0.85	bolt M6X13	2	
7		N11.007	1.26	damper	2	

FIG 12

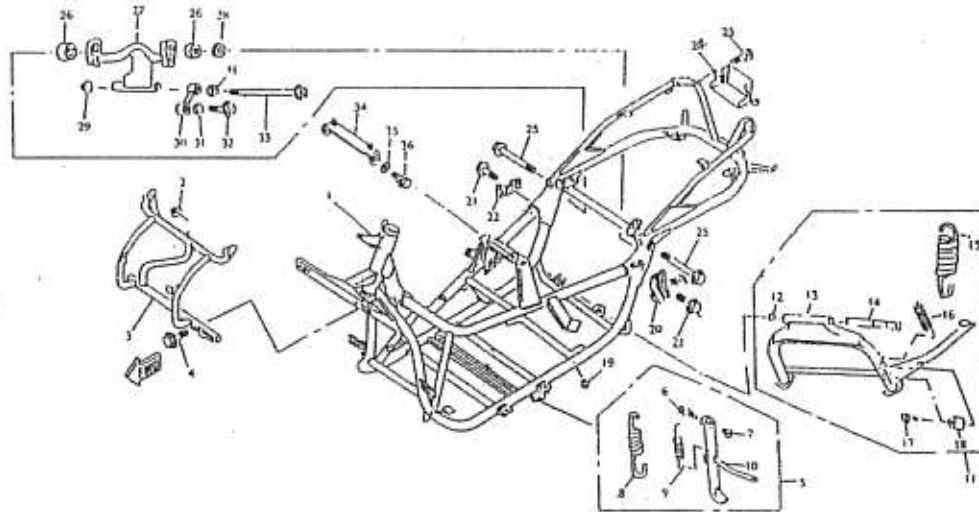
Frame



NO.	CODE NAME	PART NUMBER	PRICE	DESCRIPTION	QUANTITY	NOTE
1		N12.001	95.99	frame welding comp.	1	
2		N12.002	0.65	nut M8	1	
3		N12.003	12.62	front bracket	1	
4		N12.004	0.85	bolt M8X16	2	
5		N12.005	N/A	side stand assy.	1	
6		N12.006	1.70	side stand bolt M10X1.25X32	1	
7		N12.007	0.85	nut M10	1	
8		N12.008	2.05	outer spring, side stand	1	
9		N12.009	1.75	inner spring, side stand	1	
10		N12.010	8.98	side stand	1	
11		N12.011	N/A	center stand assy.	1	
12		N12.012	1.35	stop ring	1	
13		N12.013	17.99	center stand	1	
14		N12.014	2.07	axle, center stand 15X143	1	
15		N12.015	2.05	outer spring, center stand	1	
16		N12.016	1.75	inner spring, center stand	1	
17		N12.017	0.95	bolt M6X38	1	
18		N12.018	2.01	cushion, center stand	1	
19		N12.019	1.85	cushion, side stand	1	
20		N12.020	9.85	left bracket comp., footrest	1	
21		N12.021	0.85	bolt M6X12	4	

FIG 12

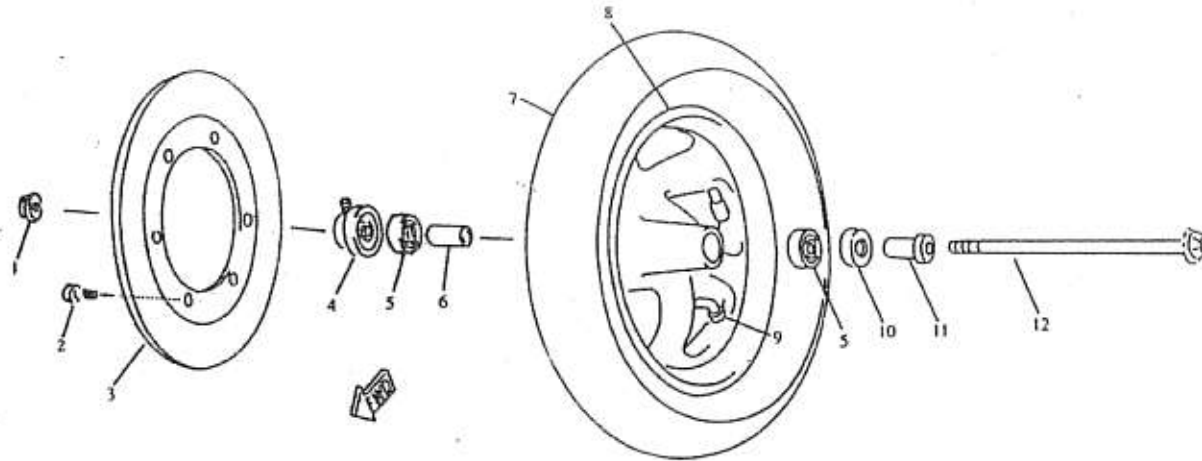
Frame



NO.	CODE NAME	PART NUMBER	PRICE	DESCRIPTION	QUANTITY	NOTE
22		N12.022	9.85	right bracket comp., footrest	1	
23		N12.023	0.85	bolt M6X12	2	
24		N12.024	8.79	dust plate, seat lock	1	
25		N12.025	1.25	bolt M10X55	2	
26		N12.026	incl. in N12.027	damper	2	
27		N12.027	19.92	engine hanger comp.	1	
28		N12.028	0.65	wahser 10.2X18X5	1	
29		N12.029	0.65	lock nut	1	
30		N12.030	4.30	lifting lug	1	
31		N12.031	incl. in N12.030	damper, lifting lug	2	
32		N12.032	1.25	bolt M10X55	1	
33		N12.033	3.75	axle, lifting lug M10X1.25X215	1	
34		N12.034	7.20	bracket, seat	1	
35		N12.035	0.50	wave washer 10	2	
36		N12.036	0.85	bolt M6X16	2	

FIG 13

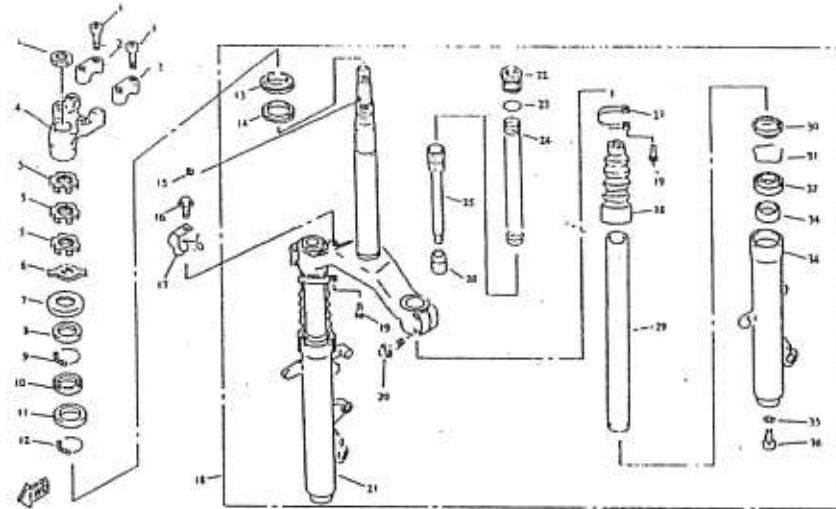
Front Wheel



NO.	CODE NAME	PART NUMBER	PRICE	DESCRIPTION	QUANTITY	NOTE
1		N13.001	1.25	nut	1	
2		N13.002	1.05	screw	6	
3		N13.003	18.98	disc, front brake	1	
4		N13.004	16.79	speed gear comp.	1	
5		N13.005	5.62	bearing	2	
6		N13.006	2.40	inner spacer	1	
7		N13.007	39.99	tire 4.00-12	1	
8		N13.008	39.85	front rim	1	
9		N13.009	0.99	valve	1	
10		N13.010	2.05	seal	1	
11		N13.011	2.89	spacer	1	
12		N13.012	4.28	front axle	1	

FIG 14

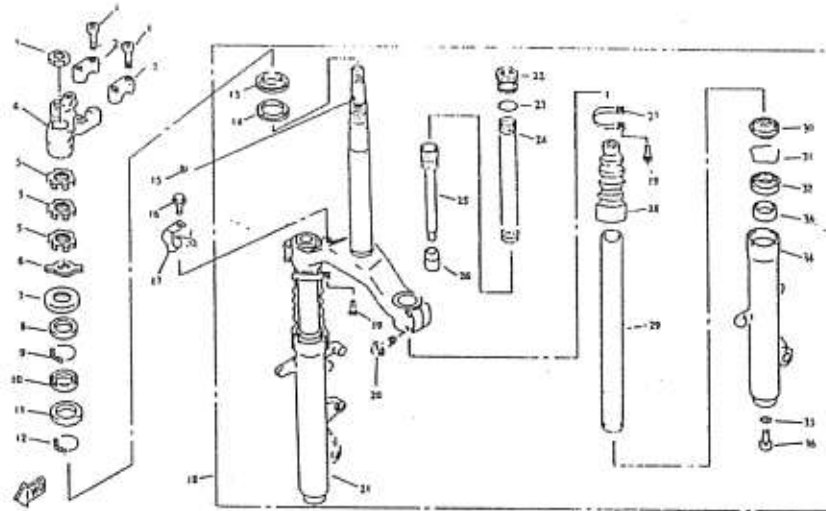
Front Fork
Front Shock



NO.	CODE NAME	PART NUMBER	PRICE	DESCRIPTION	QUANTITY	NOTE
1		N14.001	0.85	bolt, hexagon socket M8X20	4	
2		N14.002	4.58	clamp, handlebar	2	
3		N14.003	3.66	lock nut, handlebar	1	
4		N14.004	16.70	seat, handlebar	1	
5		N14.005	3.86	lock nut, front fork	3	
6		N14.006	1.85	stop washer	1	
7		N14.007	2.04	dust seal	1	
8		N14.008	3.89	top bearing race cover	1	
9		N14.009	3.10	ball, top bearing	1 set	
10		N14.010	3.79	top bearing race	1	
11		N14.011	3.98	bottom bearing race cover	1	
12		N14.012	3.10	ball, bottom bearing	1 set	
13		N14.013	3.85	bottom bearing race	1	
14		N14.014	2.04	dust seal	1	
15		N14.015	2.01	woodruff key	1	
16		N14.016	0.85	bolt M6X12	1	
17		N14.017	1.65	wire hook	1	
18		N14.018	125.80	front fork comp.	1	
19		N14.019	0.85	screw M4X25	2	
20		N14.020	1.95	bolt	4	
21		N14.021	31.99	right front shock	1	

FIG 14

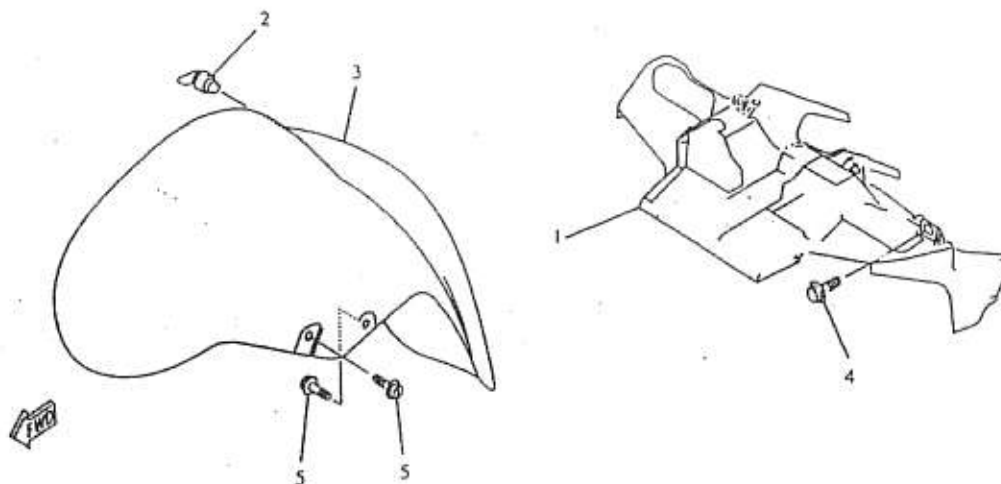
Front Fork



NO.	CODE NAME	PART NUMBER	PRICE	DESCRIPTION	QUANTITY	NOTE
22		N14.022	N/A	upper spring seat	2	
23		N14.023	N/A	washer	2	
24		N14.024	N/A	spring	2	
25		N14.025	N/A	lower spring seat	2	
26		N14.026	N/A	ring nut	2	
27		N14.027	N/A	clip	2	
28		N14.028	N/A	dust seal sleeve	2	
29		N14.029	N/A	tube	2	
30		N14.030	N/A	turnbuckle	2	
31		N14.031	N/A	spring retainer	2	
32		N14.032	N/A	oil seal	2	
33		N14.033	N/A	bush	2	
34		N14.034	N/A	muff	2	
35		N14.035	N/A	washer	2	
36		N14.036	N/A	screw	2	

FIG 15

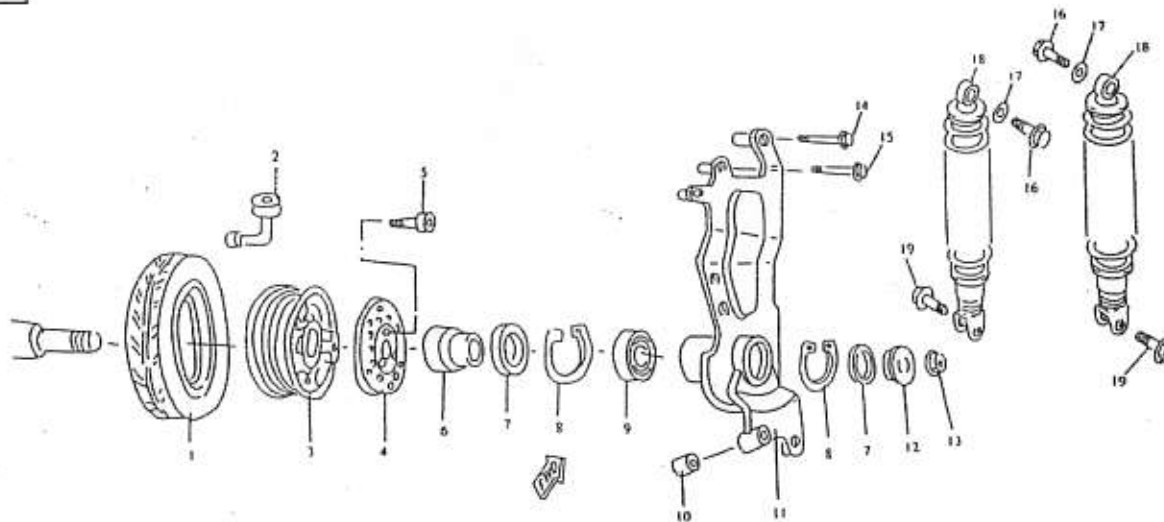
Front Fender



NO.	CODE NAME	PART NUMBER	PRICE	DESCRIPTION	QUANTITY	NOTE
1		N15.001	15.99	front inner fender	1	
2		N15.002	1.28	wire hook, speedometer cable	1	
3		N15.003	16.88	fender, front wheel	1	
4		N15.004	0.85	bolt M6X16	1	
5		N15.005	0.85	bolt M6X13	1	

FIG 16

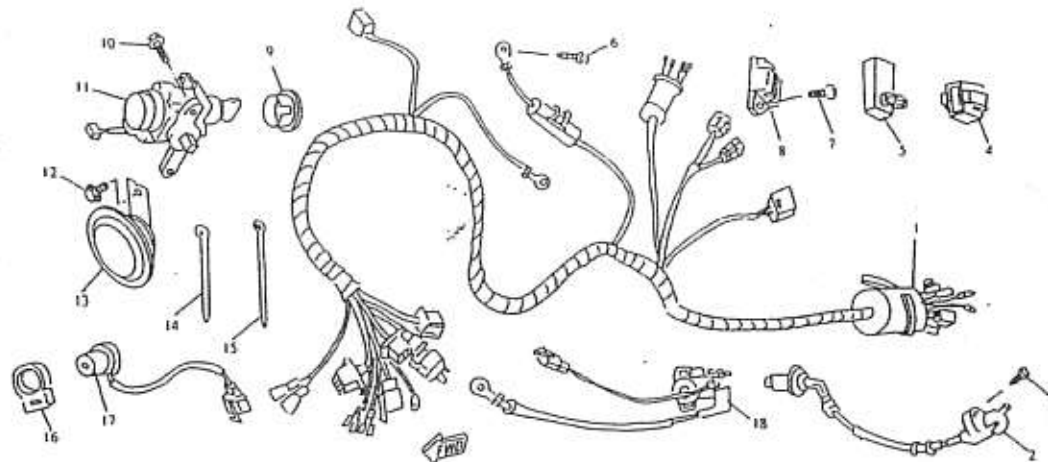
Rear Wheel
Rear Shock



NO.	CODE NAME	PART NUMBER	PRICE	DESCRIPTION	QUANTITY	NOTE
1		N16.001	39.99	tire 4.00-12	1	
2		N16.002	0.99	valve	1	
3		N16.003	39.85	rear rim	1	
4		N16.004	17.50	disc, rear brake	1	
5		N16.005	1.25	screw, hexagon socket	3	
6		N16.006	2.55	long spacer, bearing	1	
7		N16.007	2.08	oil seal, rear wheel bracket	2	
8		N16.008	2.05	stop ring	2	
9		N16.009	5.96	bearing 6303	1	
10		N16.010	incl. in N16.011	damper	1	
11		N16.011	22.86	bracket, rear wheel	1	
12		N16.012	2.35	short spacer, bearing	1	
13		N16.013	1.45	nut M14X1.5	1	
14		N16.014	1.20	bolt M8X70	1	
15		N16.015	1.05	bolt M8X45	1	
16		N16.016	1.35	bolt M10X1.25X34	2	
17		N16.017	0.50	washer	2	
18		N16.018	26.55	rear shock	2	
19		N16.019	0.95	bolt M8X30	2	

FIG 17

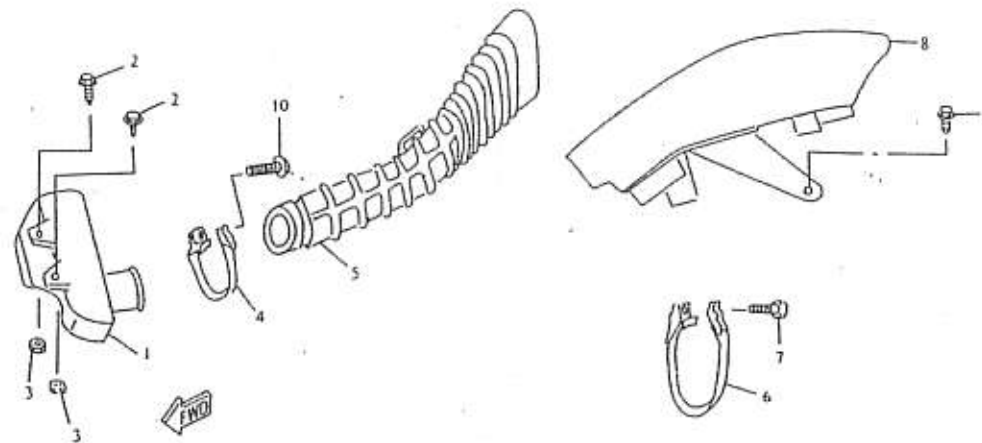
Wire Harness



NO.	CODE NAME	PART NUMBER	PRICE	DESCRIPTION	QUANTITY	NOTE
1		N17.001	19.70	wire harness	1	
2		N17.002	11.98	ignition coil	1	
3		N17.003	0.80	screw M5X20	1	
4		N17.004	N/A	damper	1	
5		N17.005	12.97	CDI	1	
6		N17.006	0.85	screw M6X16	1	
7		N17.007	0.85	screw M6X20	1	
8		N17.008	11.99	rectifier & regulator	1	
9		N17.009	3.57	cover, ignition switch	1	
10		N17.010	0.85	bolt M8X20	2	
11		N17.011	29.88	ignition switch assy.	1	
12		N17.012	0.85	bolt M6X16	1	
13		N17.013	8.75	horn	1	
14		N17.014	0.50	binding band	5	
15		N17.015	0.50	binding band	5	
16		N17.016	N/A	damper	1	
17		N17.017	8.96	flasher	1	
18		N17.018	9.98	starting relay	1	

FIG 18

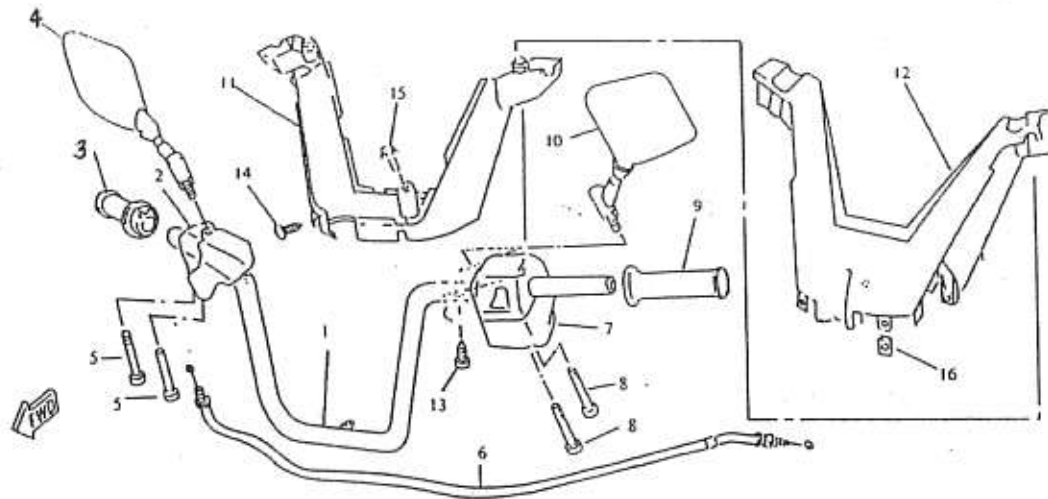
Rear Fender



NO.	CODE NAME	PART NUMBER	PRICE	DESCRIPTION	QUANTITY	NOTE
1		N18.001	6.85	cooling case	1	
2		N18.002	0.85	bolt M6X16	2	
3		N18.003	0.65	nut M6	2	
4		N18.004	1.05	clip	1	
5		N18.005	7.98	air cooled tube	1	
6		N18.006	2.05	clip	1	
7		N18.007	incl. in N18.006	screw M5X45	1	
8		N18.008	11.35	fender, rear wheel	1	
9		N18.009	0.85	screw M6X16	1	
10		N18.010	0.65	screw	1	

FIG 19

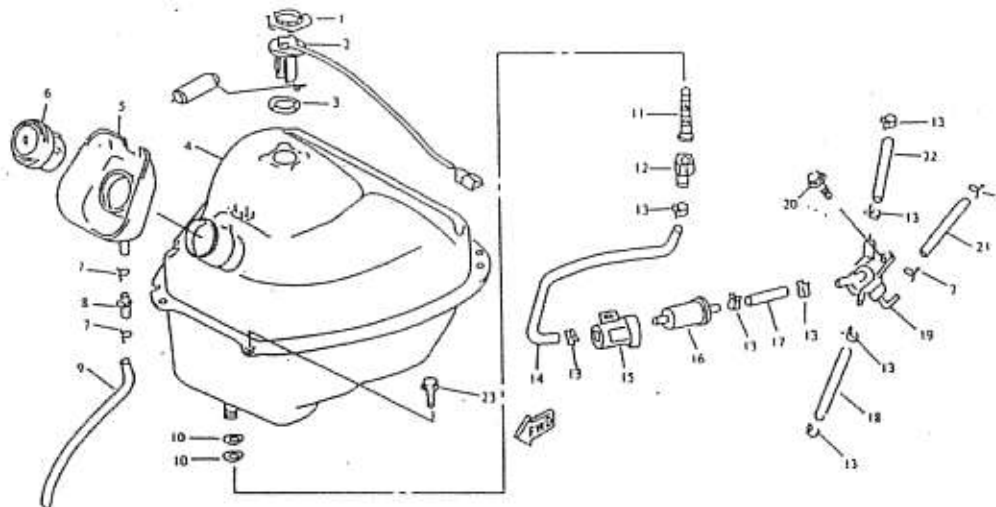
Handlebar



NO.	CODE NAME	PART NUMBER	PRICE	DESCRIPTION	QUANTITY	NOTE
1		N19.001	19.30	handlebar	1	
2		N19.002	19.75	right handlebar switch	1	
3		N19.003	7.68	throttle grip	1	
4		N19.004	14.50	right mirror	1	
5		N19.005	incl. in N19.002	screw	2	
6		N19.006	9.45	throttle cable	1	
7		N19.007	18.75	left handlebar switch	1	
8		N19.008	incl. in N19.007	screw	2	
9		N19.009	5.99	left grip	1	
10		N19.010	14.50	left mirror	1	
11		N19.011	9.87	lower cover, handlebar	1	
12		N19.012	10.43	upper cover, handlebar	1	
13		N19.013	0.50	screw ST4.8X20	2	
14		N19.014	0.50	screw ST4.8X12	4	
15		N19.015	0.50	screw M5X12	1	
16		N19.016	0.50	clip nut ST4.8	4	

FIG 20

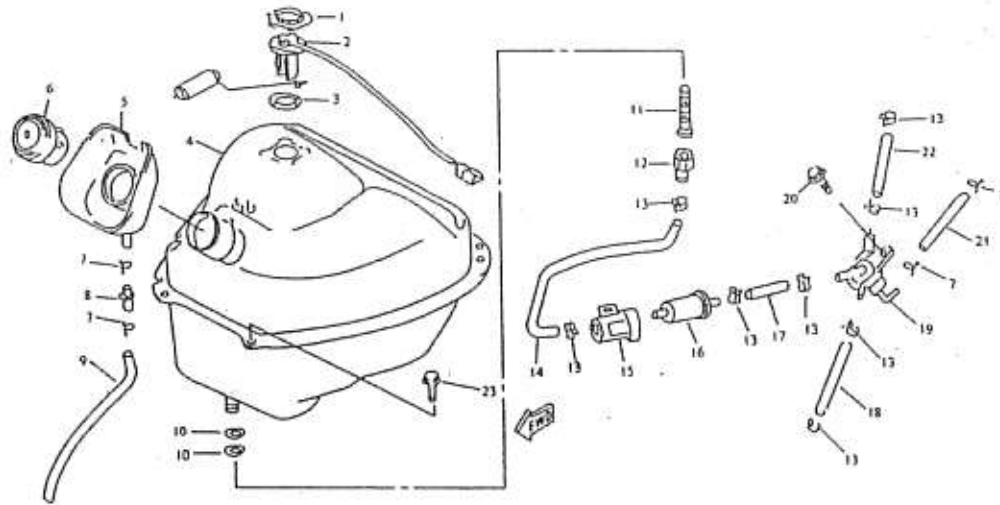
Fuel Tank



NO.	CODE NAME	PART NUMBER	PRICE	DESCRIPTION	QUANTITY	NOTE
1		N20.001	1.39	holder, fuel sensor	1	
2		N20.002	9.87	fuel sensor	1	
3		N20.003	1.54	seal, fuel sensor	1	
4		N20.004	21.85	fuel tank	1	
5		N20.005	2.05	rubber shield, fuel tank	1	
6		N20.006	12.83	cap, fuel tank	1	
7		N20.007	0.50	clip	4	
8		N20.008	1.05	joint pipe	1	
9		N20.009	0.85	tube	1	
10		N20.010	0.50	o-ring	2	
11		N20.011	N/A	mesh, fuel filter	1	
12		N20.012	N/A	joint, fuel tank	1	
13		N20.013	0.50	clip	8	
14		N20.014	0.85	fuel hose 5.5X9.5X170	1	
15		N20.015	N/A	fixing cover, fuel filter	1	
16		N20.016	4.26	fuel filter	1	
17		N20.017	0.95	fuel hose 5.5X9.5X285	1	
18		N20.018	1.15	fuel hose 4.5X8.5X440	1	
19		N20.019	6.85	fuel cock	1	
20		N20.020	0.85	bolt M6X16	1	
21		N20.021	0.85	vacuum tube	1	

FIG 20

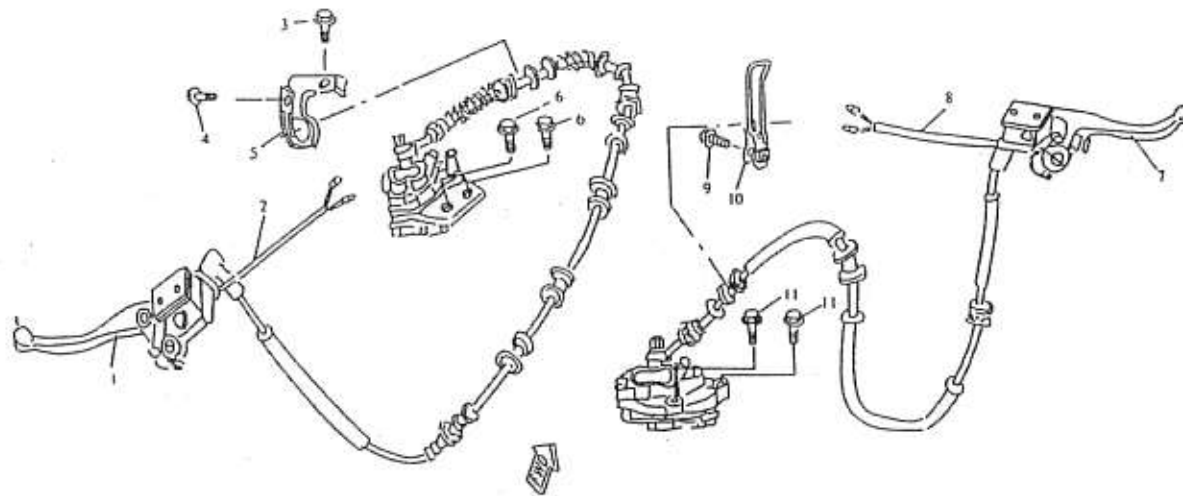
Fuel Tank



NO.	CODE NAME	PART NUMBER	PRICE	DESCRIPTION	QUANTITY	NOTE
22		N20.022	0.95	fuel hose 4.5X8.5X260	1	
23		N20.023	0.85	bolt M6X12	1	

FIG 21

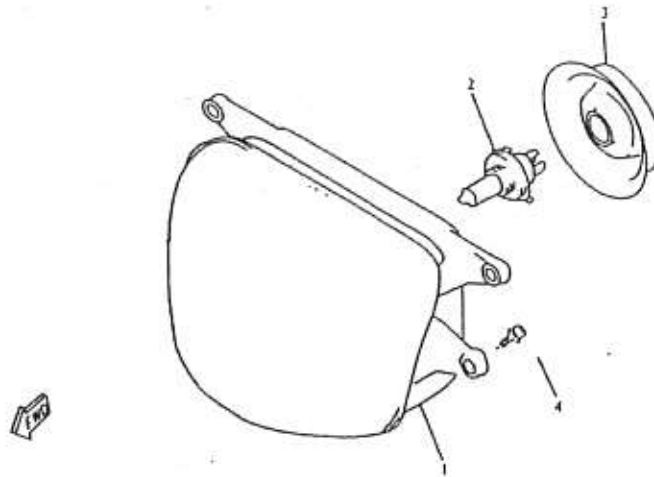
Front / Rear
Brakes



NO.	CODE NAME	PART NUMBER	PRICE	DESCRIPTION	QUANTITY	NOTE
1		N21.001	118.99	rear brake system assy.	1	
2		N21.002	2.99	rear brake switch	1	
3		N21.003	0.85	bolt M6X12	1	
4		N21.004	0.85	bolt M6X25	1	
5		N21.005	3.86	hook	1	
6		N21.006	0.85	bolt M8X12	2	
7		N21.007	108.99	front brake system assy.	1	
8		N21.008	2.99	front brake switch	1	
9		N21.009	0.85	bolt M6X20	1	
10		N21.010	4.99	hook	1	
11		N21.011	1.25	bolt M10X1.25X30	2	

FIG 22

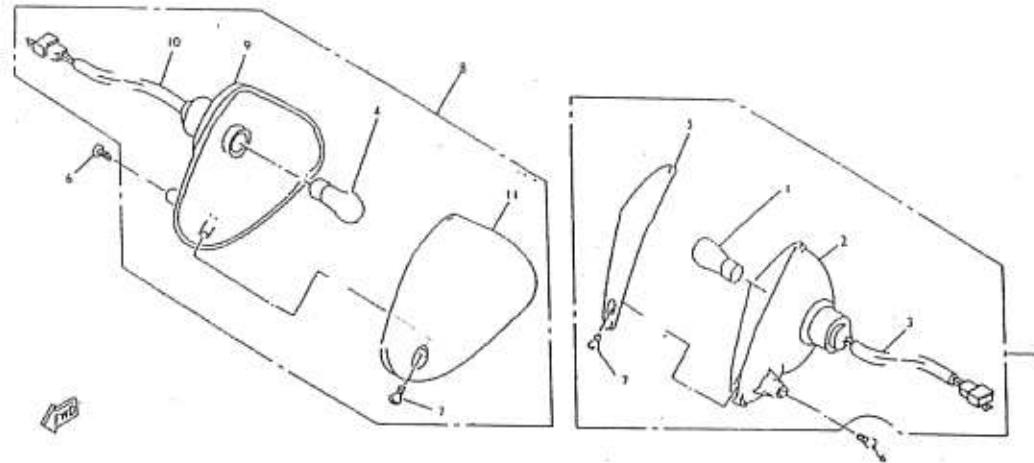
Head Light



NO.	CODE NAME	PART NUMBER	PRICE	DESCRIPTION	QUANTITY	NOTE
1		N22.001	38.98	lens, headlight	1	
2		N22.002	4.98	bulb, headlight	1	
3		N22.003	N/A	dust cover	1	
4		N22.004	N/A	screw M6X20	4	

FIG 23

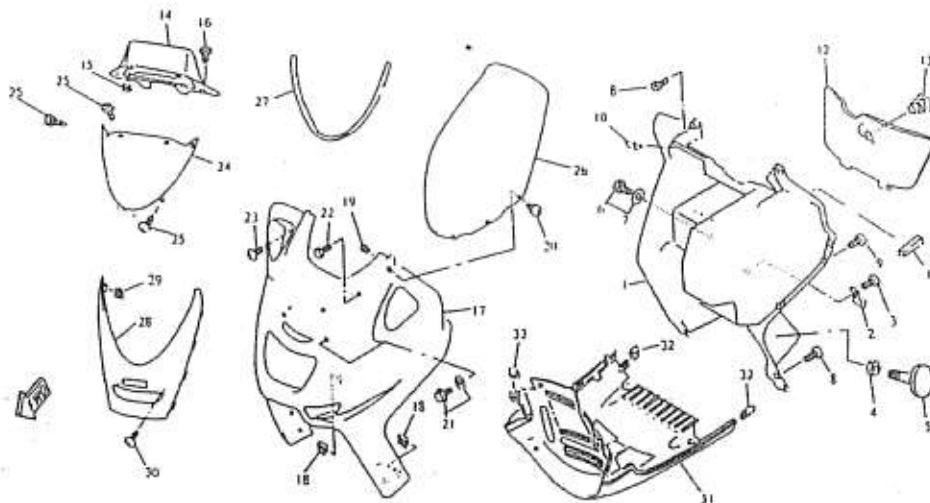
Turn Signal



NO.	CODE NAME	PART NUMBER	PRICE	DESCRIPTION	QUANTITY	NOTE
1		N23.001	10.37	front left turn signal light	1	
2		N23.002	N/A	case	1	
3		N23.003	N/A	socket, left turn signal	1	
4		N23.004	1.75	bulb, turn signal	2	
5		N23.005	7.85	lens, left turn signal	1	
6		N23.006	0.50	screw	2	
7		N23.007	0.50	screw	2	
8		N23.008	10.37	front right turn signal light	1	
9		N23.009	N/A	case	1	
10		N23.010	N/A	socket, right turn signal	1	
11		N23.011	7.85	lens, right turn signal	1	

FIG 24

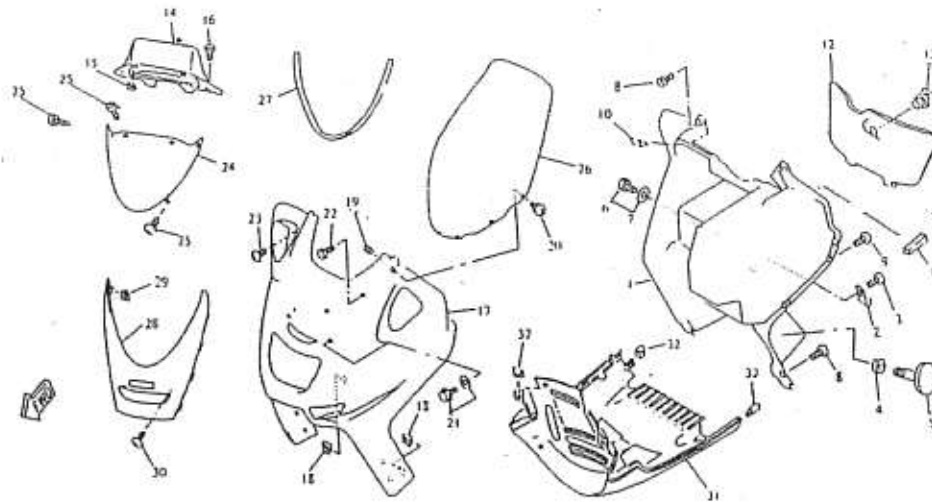
Front Fender



NO.	CODE NAME	PART NUMBER	PRICE	DESCRIPTION	QUANTITY	NOTE
1		N24.001	39.99	leg shield	1	
2		N24.002	2.01	rock arm, front compartment	2	
3		N24.003	0.50	screw ST4.2X12	2	
4		N24.004	0.65	nut M5	2	
5		N24.005	2.75	front reflector	2	
6		N24.006	0.85	bolt	1	
7		N24.007	0.85	bolt	1	
8		N24.008	0.65	screw ST4.8X13	4	
9		N24.009	0.65	screw ST4.8X16	14	
10		N24.010	0.50	clip nut ST4.8	4	
11		N24.011	1.82	cover, VIN number	1	
12		N24.012	12.95	cover, front compartment	1	
13		N24.013	incl. in N17.011	lock, front compartment	1	
14		N24.014	15.85	meter shield	1	
15		N24.015	0.50	clip nut ST4.8	2	
16		N24.016	0.50	screw ST4.8X12	2	
17		N24.017	42.85	front body cover	1	
18		N24.018	0.50	clip nut ST4.8	6	
19		N24.019	0.65	nut M5, windshield	6	
20		N24.020	1.05	screw M5X20	6	
21		N24.021	0.85	bolt M6X16	2	

FIG 24

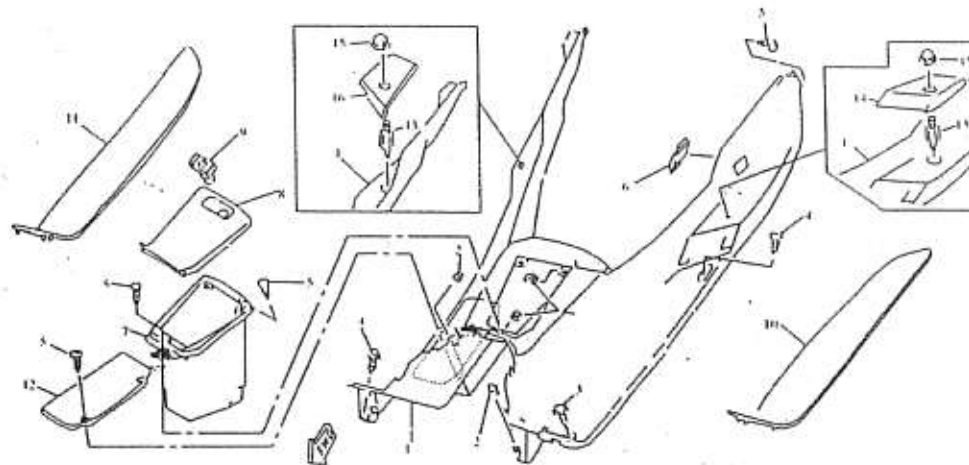
Front Fender



NO.	CODE NAME	PART NUMBER	PRICE	DESCRIPTION	QUANTITY	NOTE
22		N24.022	0.85	bolt M6X17	2	
23		N24.023	0.50	screw ST4.2X13	2	
24		N24.024	12.45	front cover, meter	1	
25		N24.025	0.50	screw ST4.2X13	6	
26		N24.026	18.50	windshield	1	
27		N24.027	N/A	decoration band	1	
28		N24.028	9.99	front decoration cover	1	
29		N24.029	0.50	clip nut ST4.8	4	
30		N24.030	0.50	screw ST4.2X13	4	
31		N24.031	41.75	lower body cover	1	
32		N24.032	0.50	clip nut ST4.8	6	

FIG 25

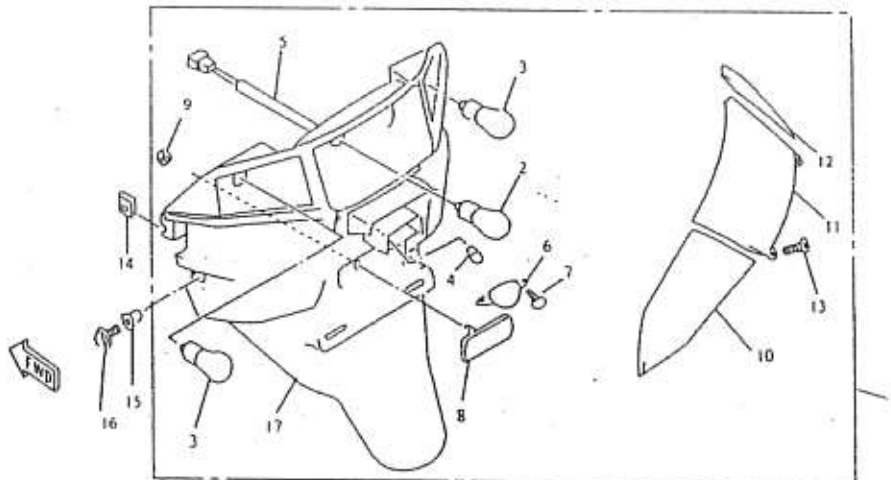
Floor Board



NO.	CODE NAME	PART NUMBER	PRICE	DESCRIPTION	QUANTITY	NOTE
1		N25.001	32.95	floor board	1	
2		N25.002	0.50	clip nut ST4.8	7	
3		N25.003	0.65	screw M6X13	2	
4		N25.004	0.50	screw ST4.8X13	8	
5		N25.005	0.50	screw ST4.8X16	7	
6		N25.006	1.05	cover	1	
7		N25.007	9.45	compartment B	1	
8		N25.008	4.56	cover, compartment B	1	
9		N25.009	incl. in N17.011	lock, compartment B	1	
10		N25.010	9.98	left floor mat	1	
11		N25.011	9.98	right floor mat	1	
12		N25.012	5.37	battery cover	1	
13		N25.013	0.65	bolt	1	
14		N25.014	5.45	rubber, left pillion pedal	1	
15		N25.015	0.65	nut	1	
16		N25.016	5.45	rubber, right pillion pedal	1	

FIG 26

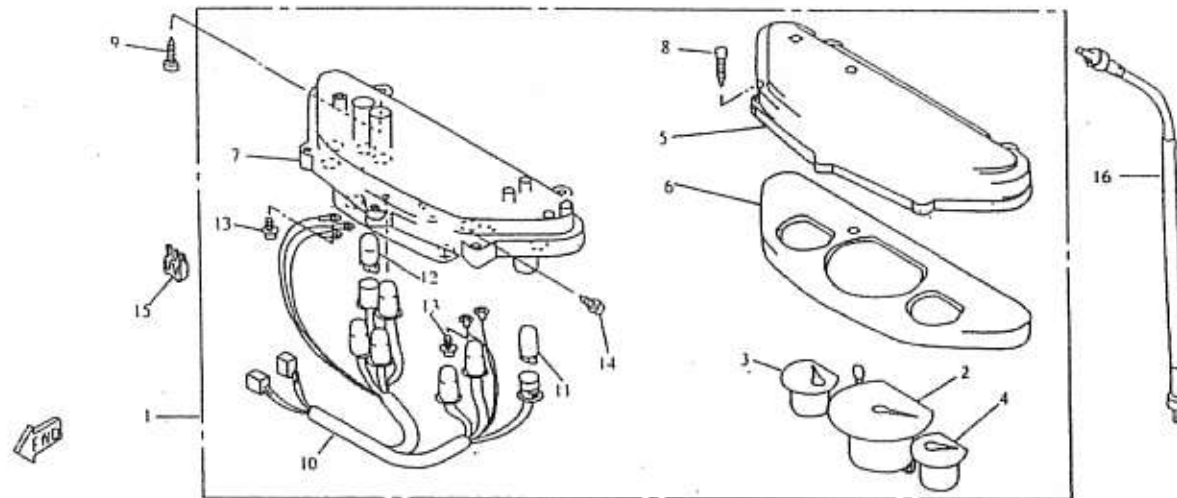
Tail Light



NO.	CODE NAME	PART NUMBER	PRICE	DESCRIPTION	QUANTITY	NOTE
1		N26.001	36.75	tail light assy.	1	
2		N26.002	2.75	bulb, tail light	1	
3		N26.003	1.75	bulb, rear turn signal light	2	
4		N26.004	0.95	bulb, license light	1	
5		N26.005	5.89	wire, tail light assy.	1	
6		N26.006	N/A	lens, license light	1	
7		N26.007		screw ST3.8X12	2	
8		N26.008	3.75	rear reflector	1	
9		N26.009	0.65	nut M5	1	
10		N26.010	8.55	lens, rear left turn signal	1	
11		N26.011	10.85	lens, tail light	1	
12		N26.012	8.55	lens, rear right turn signal	1	
13		N26.013	0.50	screw ST4.2X12	2	
14		N26.014	0.50	clip nut ST4.8	2	
15		N26.015	0.50	washer	2	
16		N26.016	0.65	bolt	2	
17		N26.017	incl. in N26.001	shell, tail light	1	

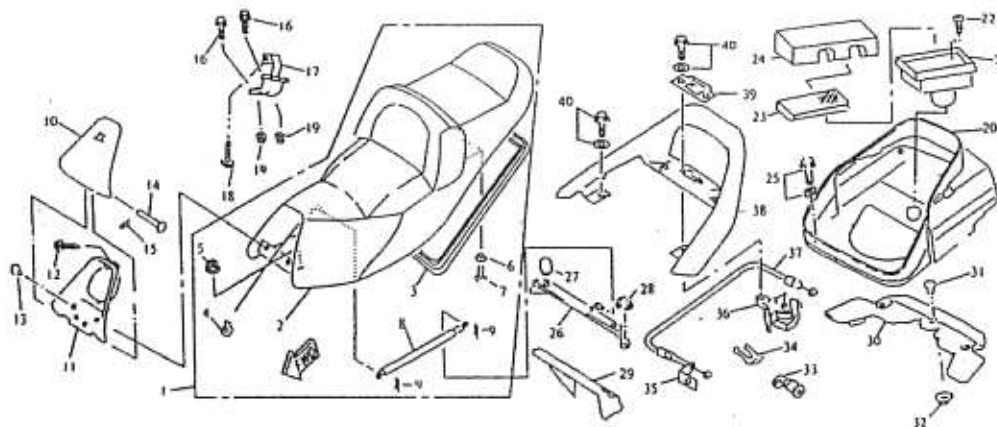
FIG 27

Speedometer



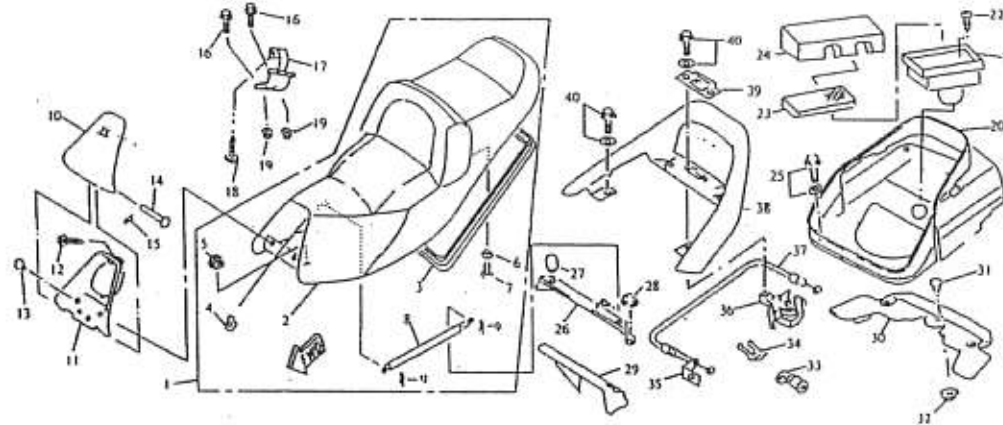
NO.	CODE NAME	PART NUMBER	PRICE	DESCRIPTION	QUANTITY	NOTE
1		N27.001	29.85	speedometer assy.	1	
2		N27.002		meter, speed	1	
3		N27.003		fuel indicator	1	
4		N27.004		battery indicator	1	
5		N27.005		lens, meter	1	
6		N27.006		meter panel	1	
7		N27.007		meter shell	1	
8		N27.008		screw ST4.2X12	4	
9		N27.009		screw ST4.8X16	2	
10		N27.010		wire, meter	1	
11		N27.011	1.05	bulb, meter	4	
12		N27.012	1.05	bulb	1	
13		N27.013		screw M3X22	5	
14		N27.014		screw M4X12	2	
15		N27.015		meter stopper	2	
16		N27.016	8.85	cable, speedometer	1	

FIG 28

Seat
Rear Rack

NO.	CODE NAME	PART NUMBER	PRICE	DESCRIPTION	QUANTITY	NOTE
1		N28.001	N/A	seat assy.	1	
2		N28.002	49.95	seat	1	
3		N28.003	6.25	insert	1	
4		N28.004	4.50	patch	1	
5		N28.005	0.65	nut M8	2	
6		N28.006	0.50	washer	2	
7		N28.007	0.85	bolt	2	
8		N28.008	12.85	hydraulic knockout pin comp.	1	
9		N28.009	0.50	cotter pin	2	
10		N28.010	8.75	front cover, seat	1	
11		N28.011	8.95	front inner cover, seat	1	
12		N28.012	0.50	screw ST4.8X16	1	
13		N28.013	0.85	bolt M6X16	2	
14		N28.014	1.85	pin 5X80	1	
15		N28.015	0.50	cotter pin	1	
16		N28.016	0.85	bolt M6X12	2	
17		N28.017	4.95	rock arm	1	
18		N28.018	0.50	screw ST3.8X12	1	
19		N28.019	0.65	nut M6	2	
20		N28.020	21.99	rear compartment	1	
21		N28.021	N/A	case, air cleaner	1	

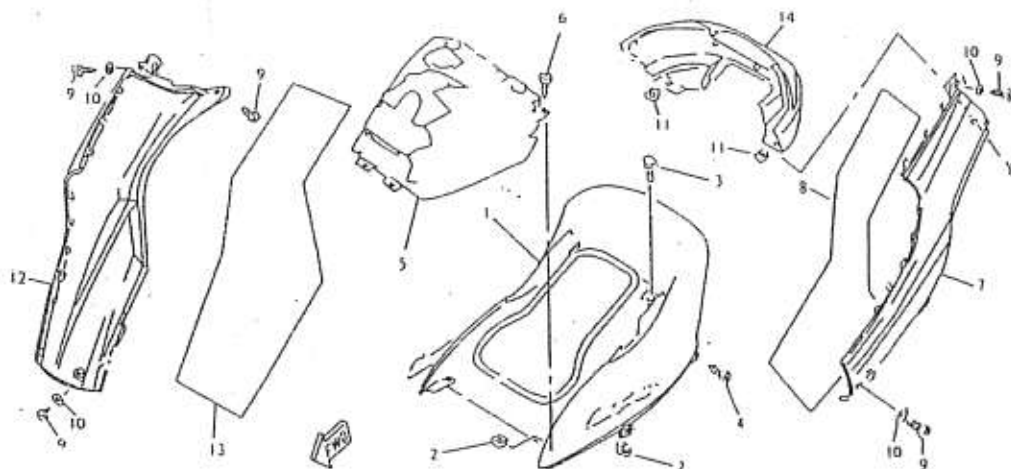
FIG 28

Seat
Rear Rack

NO.	CODE NAME	PART NUMBER	PRICE	DESCRIPTION	QUANTITY	NOTE
22		N28.022	N/A	screw ST4.8X16	2	
23		N28.023	N/A	element, air cleaner	1	
24		N28.024	N/A	cover, air cleaner	1	
25		N28.025	0.85	bolt M6X25	4	
26		N28.026	12.80	bracket	1	
27		N28.027	1.05	cushion	2	
28		N28.028	0.65	nut M6	4	
29		N28.029	4.68	rear mat, fuel tank	1	
30		N28.030	6.45	mat, rear wheel	1	
31		N28.031	0.85	bolt M6X16	3	
32		N28.032	0.65	nut M6	3	
33		N28.033	incl. in N17.011	seat lock	1	
34		N28.034	incl. in N17.011	clip	1	
35		N28.035	incl. in N17.011	fixed plate, seat lock	1	
36		N28.036	12.90	seat catch	1	
37		N28.037	12.86	cable, seat lock	1	
38		N28.038	35.79	rear rack	1	
39		N28.039	1.45	cover, seat lock	1	
40		N28.040	0.85	bolt M6X20	6	

FIG 29

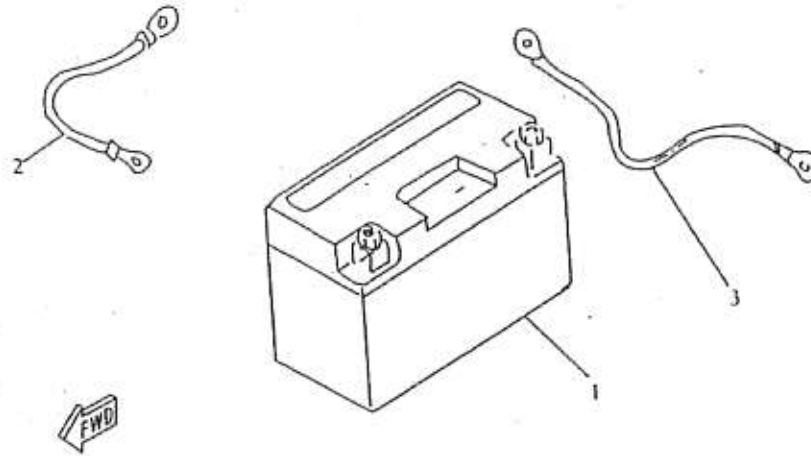
Rear Body



NO.	CODE NAME	PART NUMBER	PRICE	DESCRIPTION	QUANTITY	NOTE
1		N29.001	31.75	rear body cover	1	
2		N29.002	0.50	clip nut ST4.8	4	
3		N29.003	0.95	bolt M6X20	2	
4		N29.004	0.50	screw ST4.8X12	2	
5		N29.005	12.78	cover, fuel tank	1	
6		N29.006	0.50	screw ST4.8X16	2	
7		N29.007	18.95	left rear panel	1	
8		N29.008	N/A	foam, left rear panel	1	
9		N29.009	0.50	screw ST4.8X16	6	
10		N29.010	0.50	washer	4	
11		N29.011	0.50	clip nut ST4.8	2	
12		N29.012	18.95	right rear panel	1	
13		N29.013	N/A	foam, right rear panel	1	
14		N29.014	19.75	rear center panel	1	

FIG 30

Battery



NO.	CODE NAME	PART NUMBER	PRICE	DESCRIPTION	QUANTITY	NOTE
1		N30.001	35.25	battery	1	
2		N30.002	1.35	wire	1	
3		N30.003	1.35	wire	1	